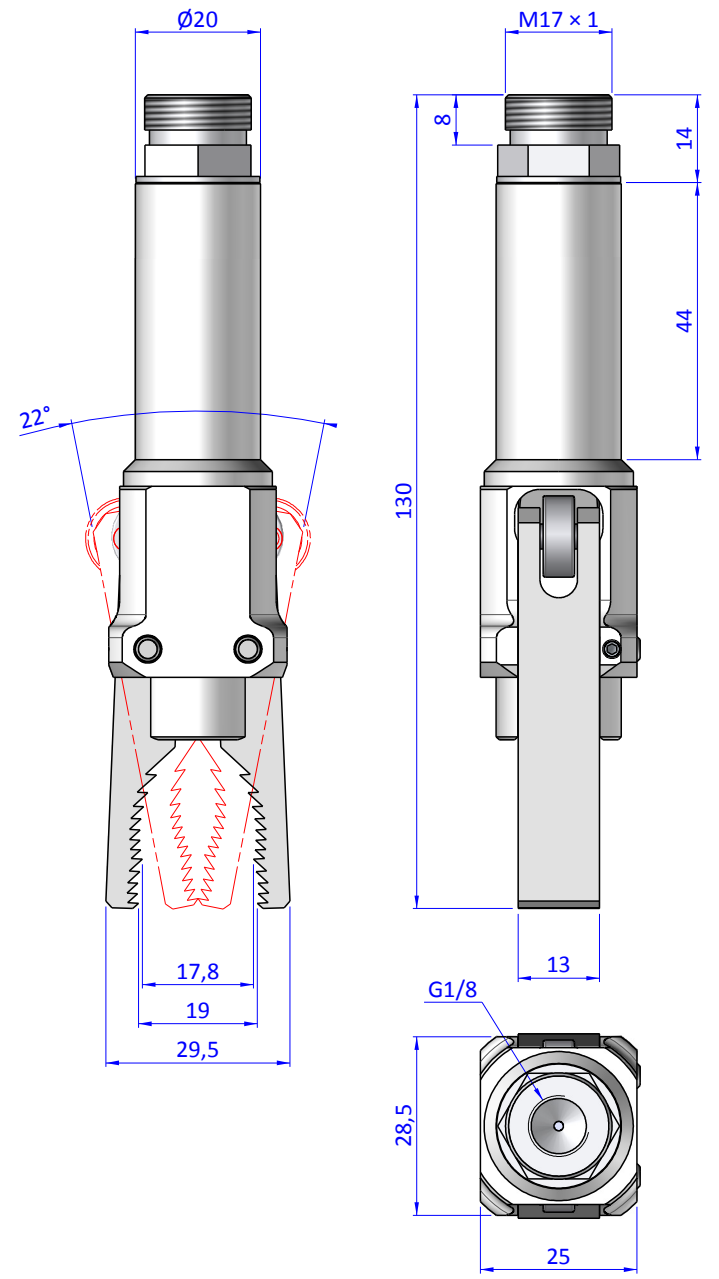
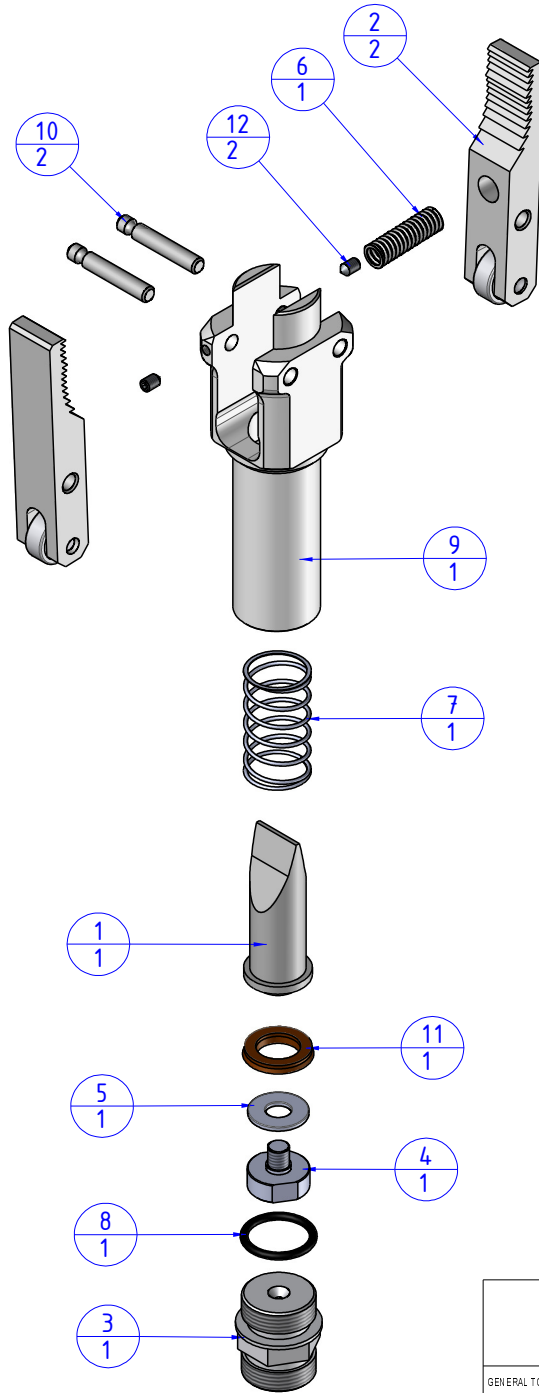



THE PROPERTY OF THE DRAWING IS ESTABLISHED BY LAW. IT IS FORBIDDEN TO PRODUCE OR SHOW IT TO THIRD PARTY, WITHOUT A WRITTEN AGREEMENT.

Item	Name	Q.ty
1	DD.20.05	1
2	DD.20.16E.02	2
3	GRF20.95.01	1
4	GRF20.95.03.2	1
5	GRF20.95.10	1
6	M.6X35	1
7	M.GRF.2095.1	1
8	OR.2056	1
9	PAC.2016.1	1
10	PAC.2016.5	2
11	PSP.1610255	1
12	V.STM3X5	2



Format A3
UNI 936-76

 FPS FPSERVICES AUTOMATION		DESIGNED FROM	REVIEW
		FPS Automation	A
GENERAL TOLERANCE	DESCRIPTION	DATE	WEIGHT
UNI - ISO 2768	CA.PAC20.16E	06/06/2019	0,161kg
CLASSE f		CODE	CA.PAC20.16E